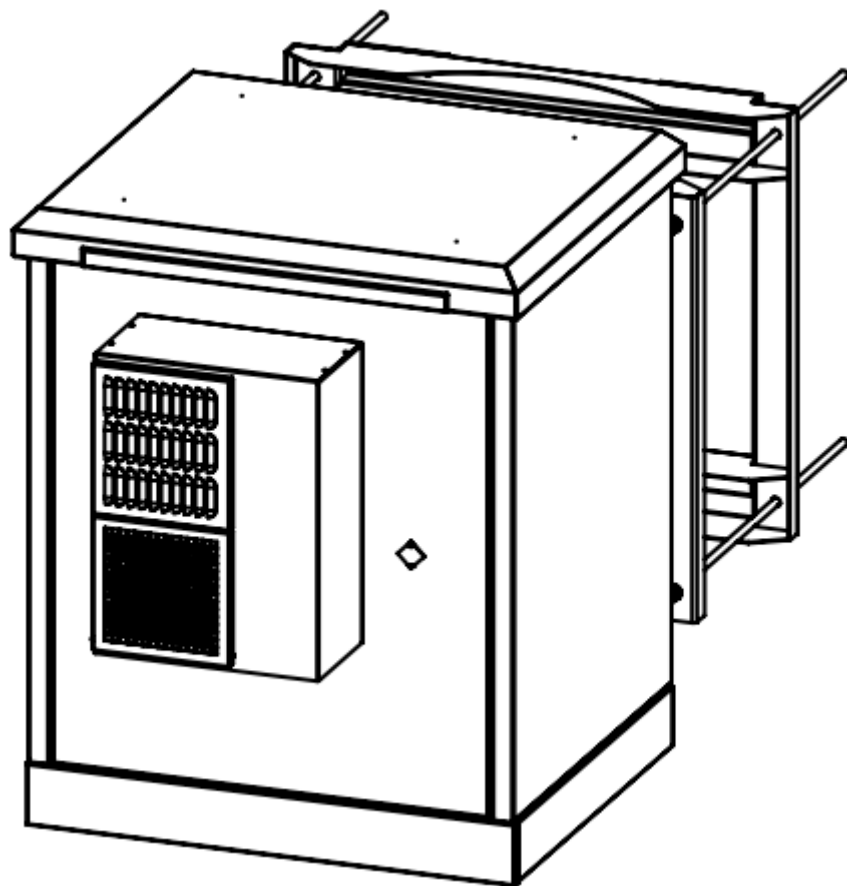




teco

PRODUCT DESCRIPTION



**OUTDOOR  
FLOOR/WALL-  
MOUNTING CABINET**

Model: **AW-U – G.15.77.66.15U/0.04AC**

Art. **TEKO 1122.00.00.000-01**

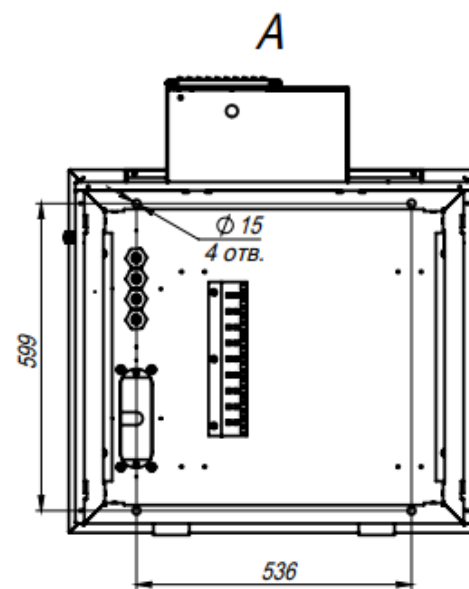
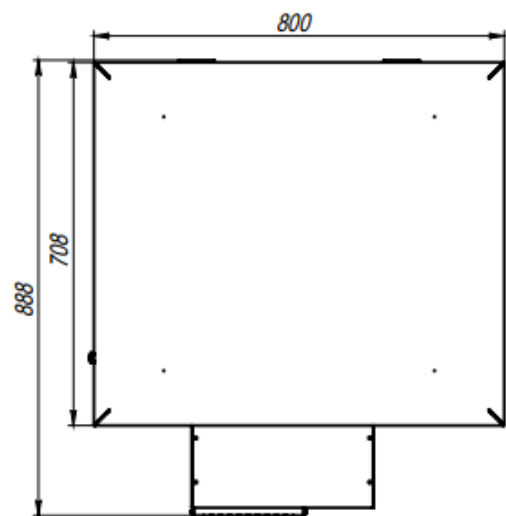
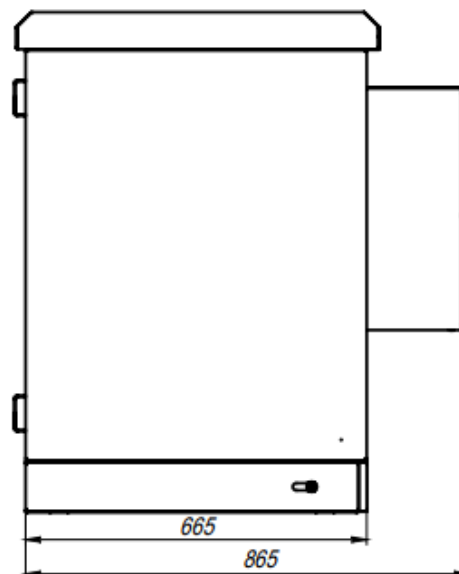
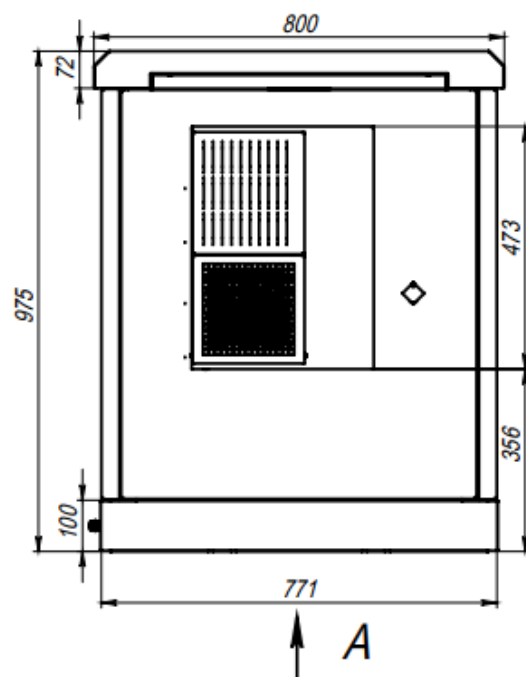
## TECO OUTDOOR FLOOR/WALL-MOUNTING CABINET

Outdoor floor/wall-mounting cabinet «AW-U – S.15.77.66.15U/0.04AC» - is designed to accommodate telecommunications server equipment and various electrical equipment in a variety of outdoor conditions (with high rainfall and humidity, low/high temperature conditions). Cabinet have one 15U compartment with AC air conditioner TAIC400 AC with cooling capacity 400W(L35/L35). Unique design and wide range of climate control solutions allows operating in harsh environments with a temperature range -40C - + 55C. This cabinet are simple in setup and installation.

### Outdoor cabinet AW-U – S.15.77.66.15U/0.04AC benefits:

- Cabinet dimensions 975×770×665 H×W×D
- Cabinet total inside height 15U.
- Front vertical racks for equipment mounting.
- Upgradeable (replacement of 19 "racks with two battery shelves).
- Possibility of installing the cabinet on pole with additional set of hanging bracket.
- Type of walls – sandwich-panel, thickness of insulation – 50 mm
- Anti-Vandal case.

|                               |  |
|-------------------------------|--|
| <b>Material</b>               | <ul style="list-style-type: none"> <li>▪ Welded case.</li> <li>▪ Inner walls – galvanized steel, thickness 1 mm.</li> <li>▪ Outer walls – galvanized steel, thickness 1,5 mm.</li> </ul> |
| <b>Door</b>                   | <ul style="list-style-type: none"> <li>▪ One door.</li> <li>▪ Door opening angle — not more 130°.</li> <li>▪ Locking system — three-point.</li> </ul>                                    |
| <b>Coating</b>                | <ul style="list-style-type: none"> <li>▪ Semi-textured outdoor powder-coat paint RAL 7035, 10 years warranty.</li> </ul>   |
| <b>Temperature conditions</b> | <ul style="list-style-type: none"> <li>▪ -40°C to +55°C.</li> </ul>  |
| <b>Cooling system</b>         | <ul style="list-style-type: none"> <li>▪ AC air conditioner TAIC400 AC with cooling capacity 400W(L35/L35).</li> </ul>   |
| <b>Protection rating</b>      | <ul style="list-style-type: none"> <li>▪ IP 55</li> </ul>  |



|  |            |                       |
|--|------------|-----------------------|
| <b>Total</b>                                       |            |                       |
| Dimensions, Height × Width × Depth                 | mm         | 975×770×665           |
| Degree of protection                               | IP         | 55                    |
| Voltage  | V          | 220V AC 50 Hz/ 48V DC |
| Door   | pcs        | 1                     |
| Lock   | pcs        | 1                     |
| Socle  | pcs        | 1                     |
| Roof   | pcs        | 1                     |
| Insulation   | Type       | Mineral wool          |
| Thickness of insulation                            | mm         | 50                    |
| <b>Cooling system</b>                              |            |                       |
| <b>Air conditioner TAIC400 AC</b>                  | pcs        | 1                     |
| Rated voltage                                      | V          | 220V AC 50 Hz         |
| Rated current                                      | A          | 1                     |
| Cooling capacity                                   | W          | 400W(L35/L35)         |
| Noise level 1/2/3 m                                | dB         | 60/58/56              |
| <b>Equipment</b>                                   |            |                       |
| 19" rail for power supply and customer's equipment | set        | 1                     |
| MCB 6A 1P  | pcs        | 1                     |
| MCB 2A 1P  | pcs        | 1                     |
| Service light 48VDC with door switch               | pcs        | 1                     |
| Door open sensor                                   | pcs        | 1                     |
| Grounding bus-bar (copper)                         | pcs        | 1                     |
| Pole hanging bracket                               | pcs        | 1                     |
| Cable entries from bottom                          | Type x pcs | PG21 x 4              |
| <b>Other information</b>                           |            |                       |
| Application  | -          | Outdoor               |
| Mounting Method                                    | -          | Floor/Wall/Pole       |

teco

📍 Zaliutynska Str., 10, Kharkiv, Ukraine, 61177

☎ tel. +38 (057) 341-45-41  
tel. +38 (057) 372-10-42  
fax +38 (057) 341-60-30

🌐 [teco-ua.com](http://teco-ua.com)

✉ [info@teco-ua.com](mailto:info@teco-ua.com)